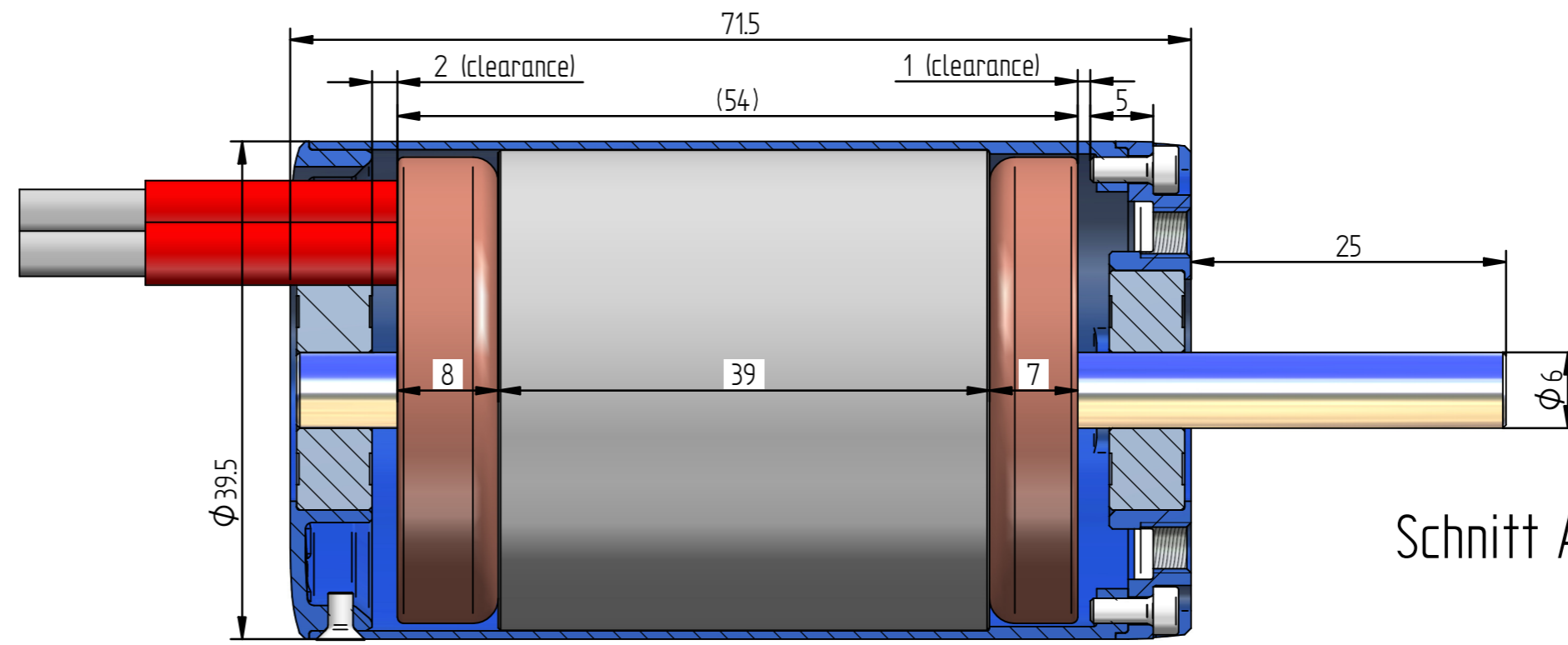
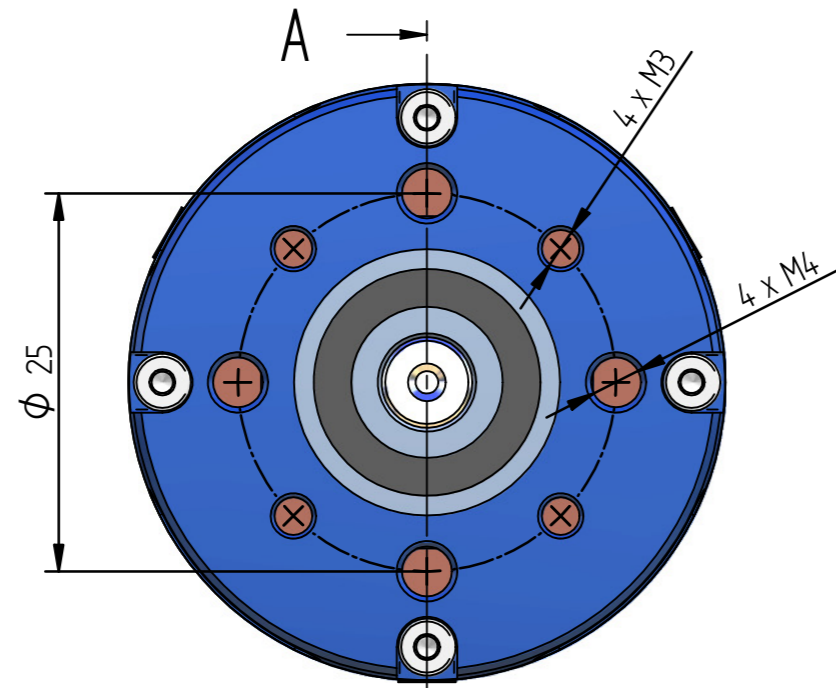
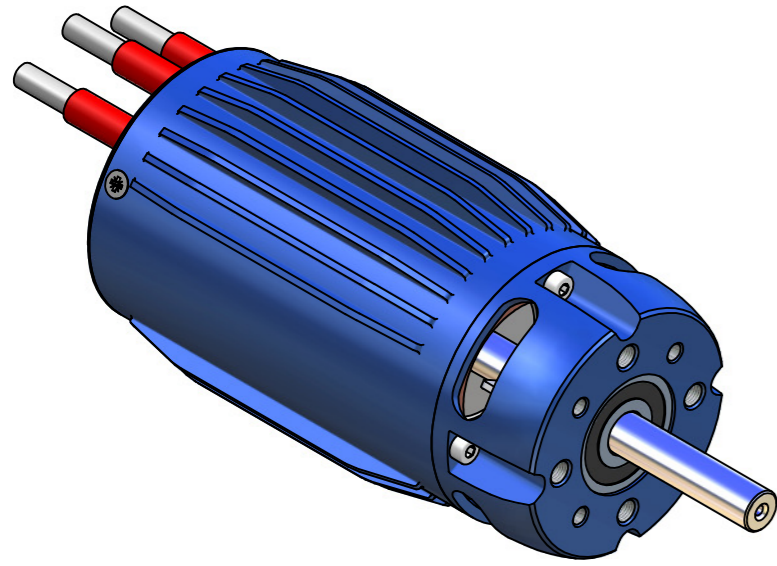


1:1

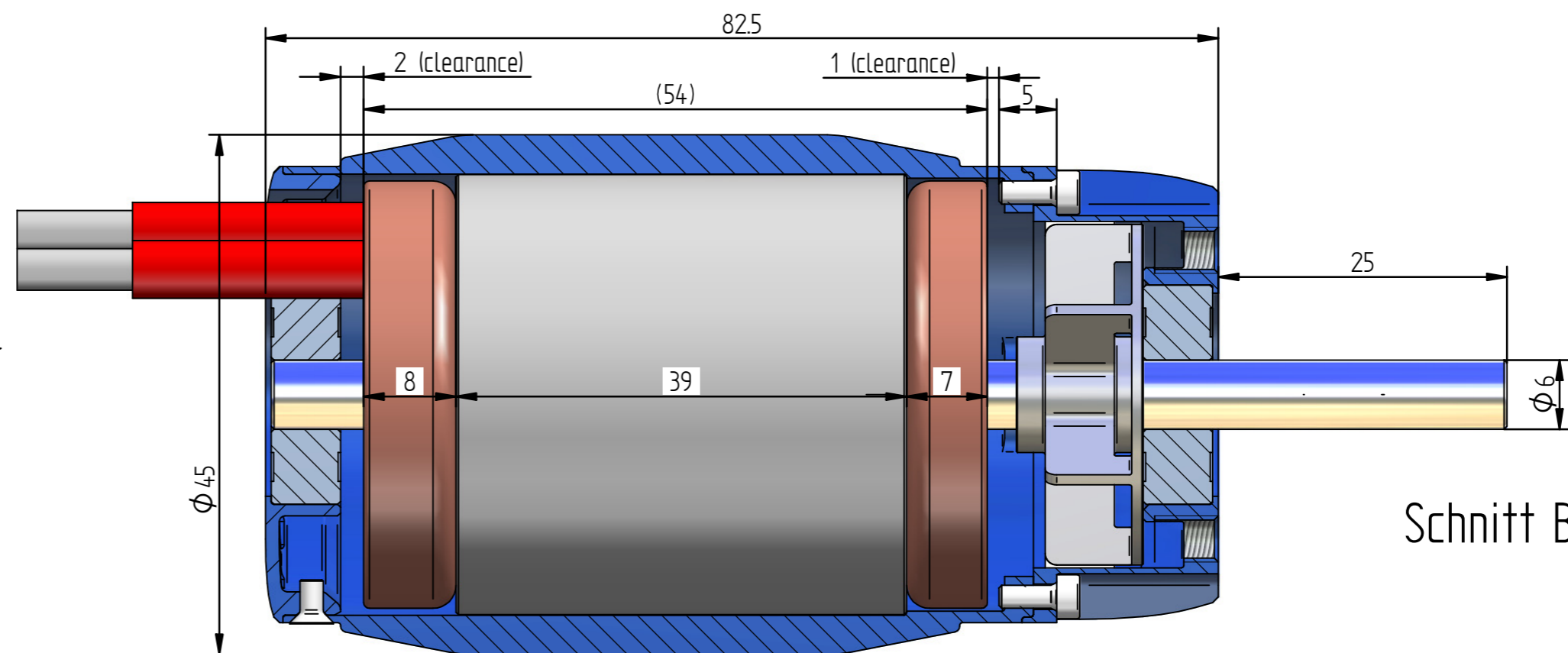
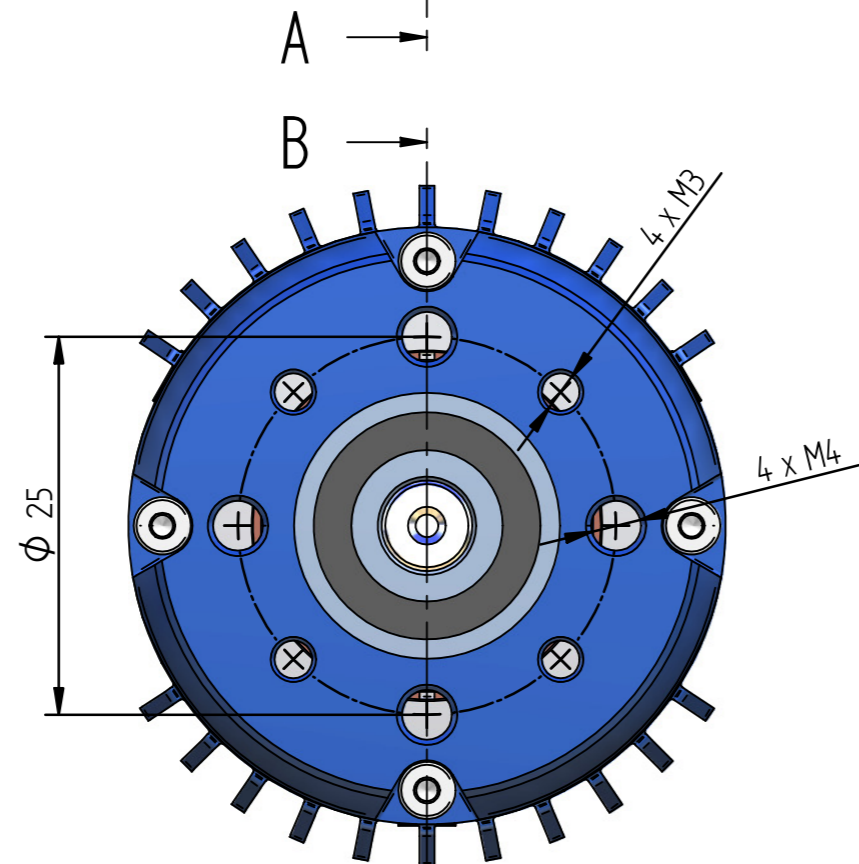


e-motor L-4038

Schnitt A-A

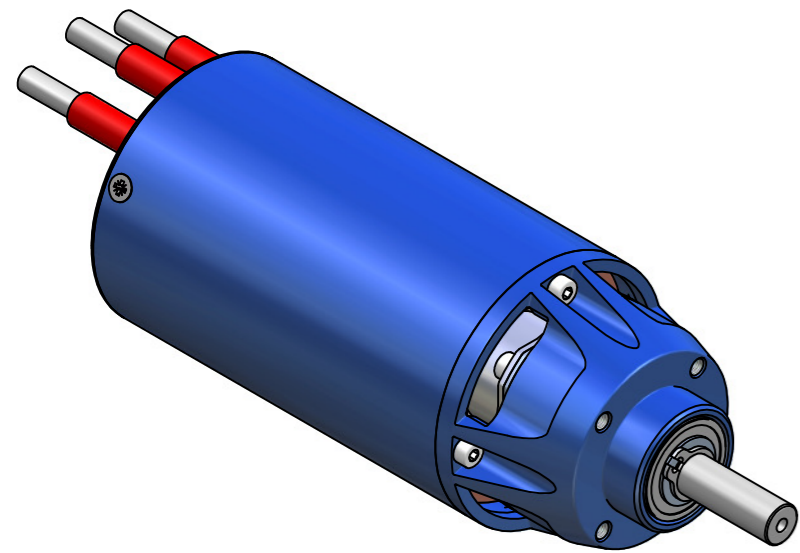


1:1

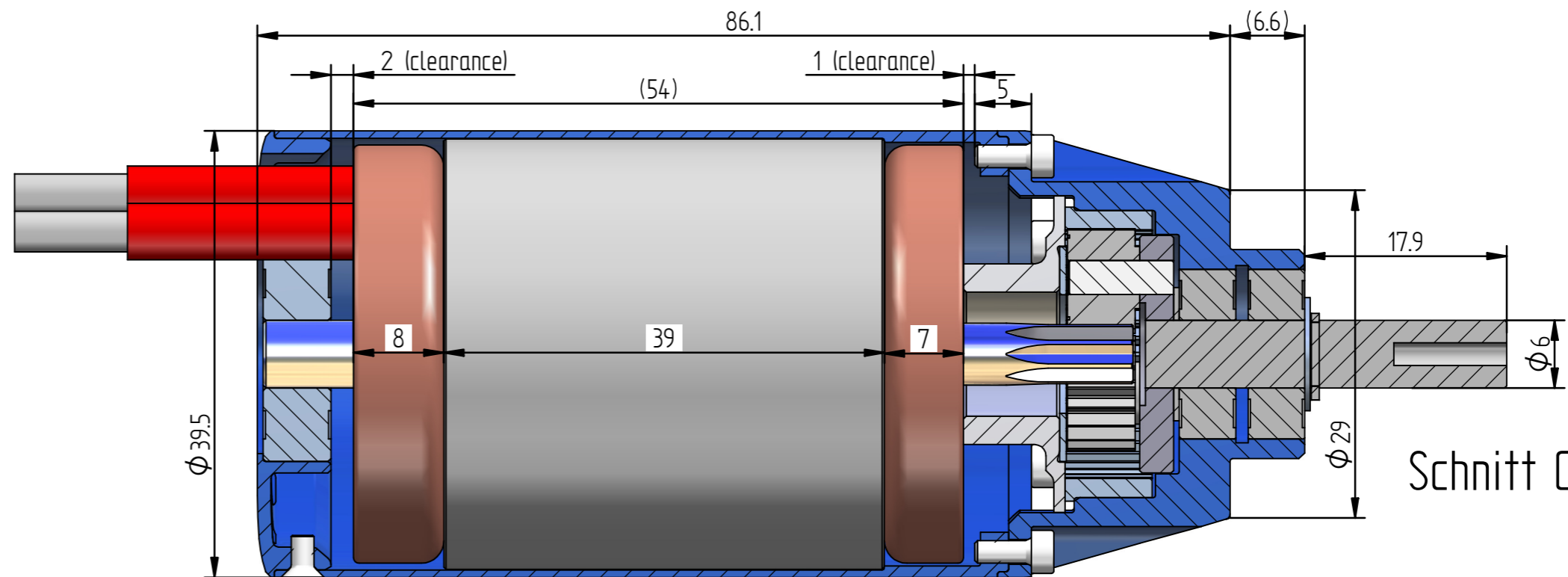
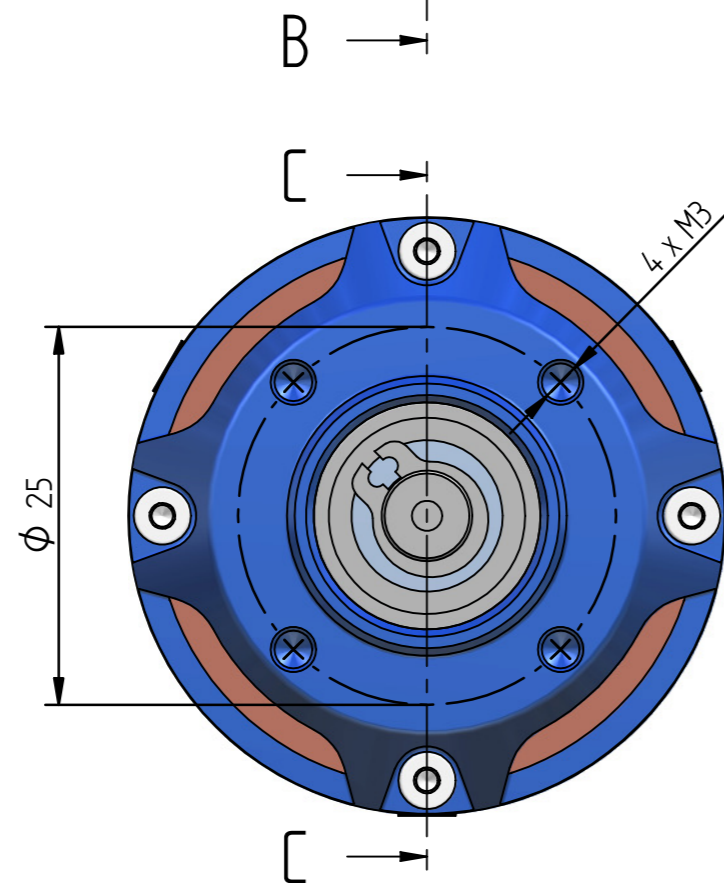


e-motor L-4038C fan

Schnitt B-B



1:1



e-motor L-4038 gear

Schnitt C-C

class of tolerance	nominal size range (mm)					
	>0,5	>3	>6	>30	>120	>400
	3	6	30	120	400	1000
tolerance zone						
f (fine)	±0,05	±0,05	±0,10	±0,15	±0,20	±0,30
x m (medium)	±0,10	±0,10	±0,20	±0,30	±0,50	±0,80
c (crude)	±0,20	±0,30	±0,50	±0,80	±1,20	±2,00
v (very crude)	-	±0,50	±1,00	±1,50	±2,00	±3,00

General Tolerances according DIN ISO 2768-1

IV	III	II	I	changes are marked with an $\Delta$ -symbol including index
change history: 01) 02) 03) 04) 05)			range of application: e-motor L-40	replaced by: replacement for: file-name: drawing-no.-index_title
title: <b>types</b> example: e-motor L-4038			scale: <b>2:1</b> 1:1	plotted: 20.05.12 DIDA checked: 20.05.12 LEO released: 20.05.12 LEO part-no.
LEOMOTION Leomotion GmbH Jakob Stutz Strasse 46 CH-8335 Hilttau			The unauthorised use or disclosure to third parties, reproduction, or passing on of individual content items or complete pages without express authority is strictly forbidden	format: <b>2</b> drawing-no.: <b>4000.102</b> index: <b>00</b>